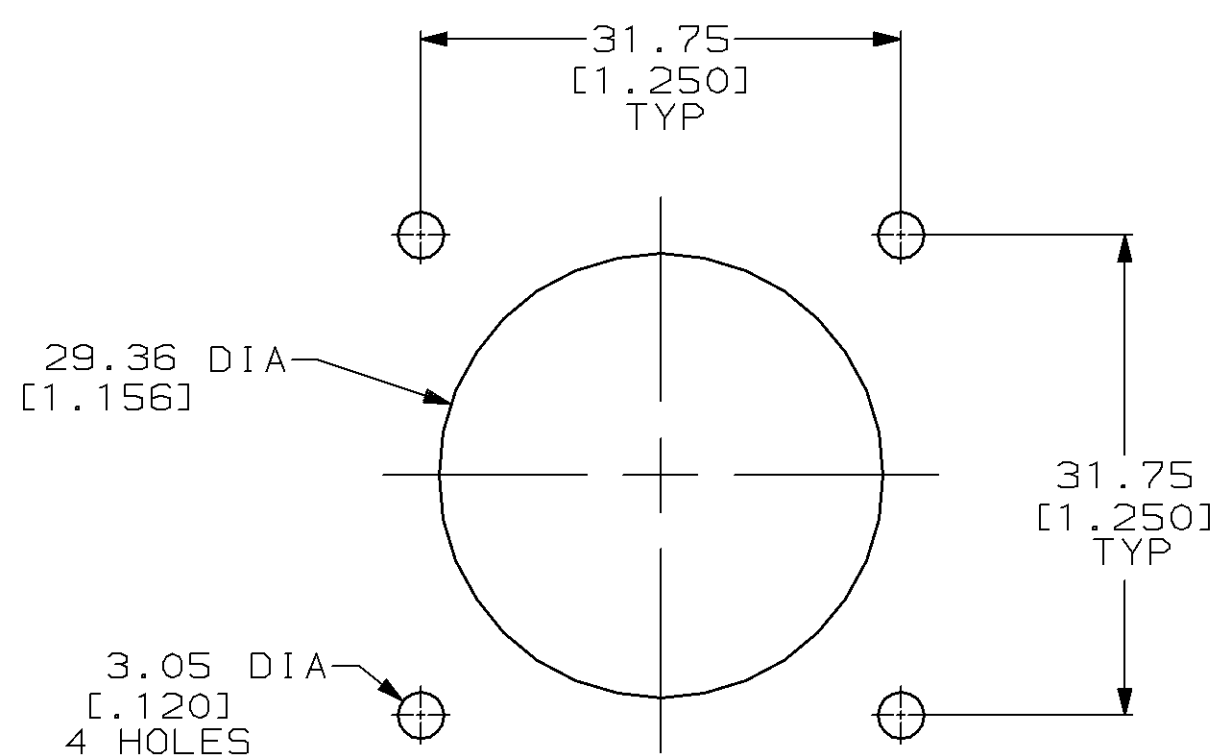
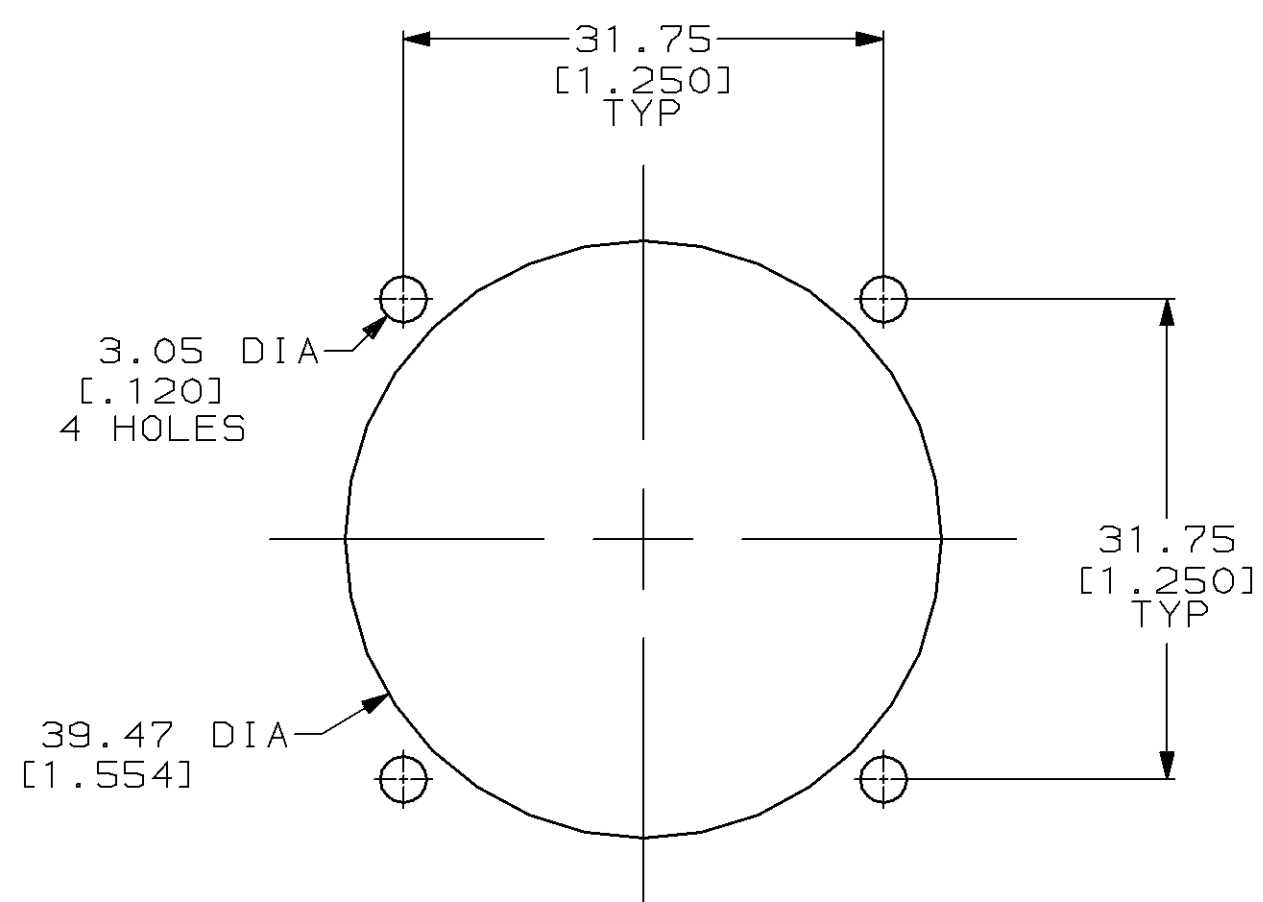
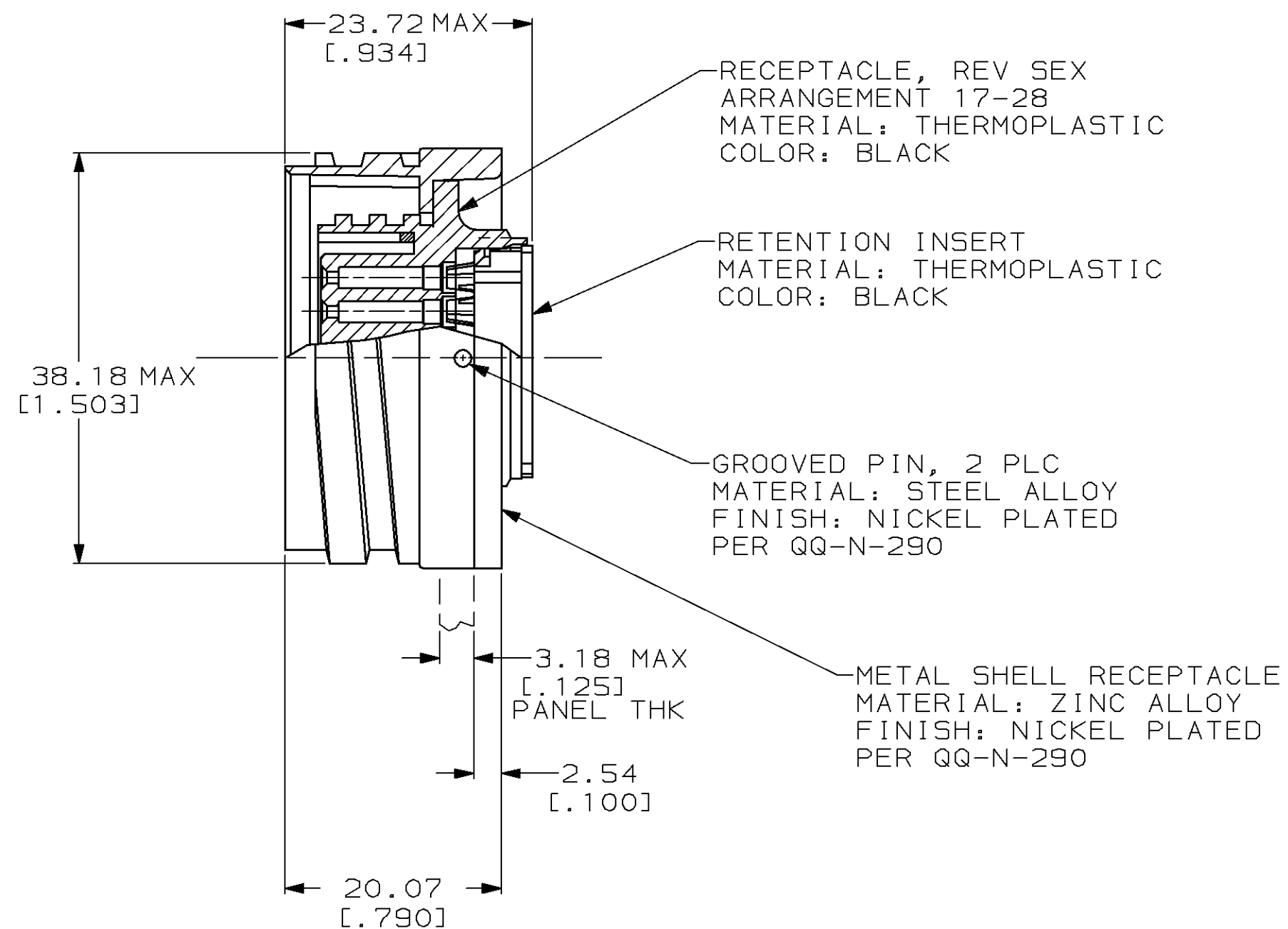
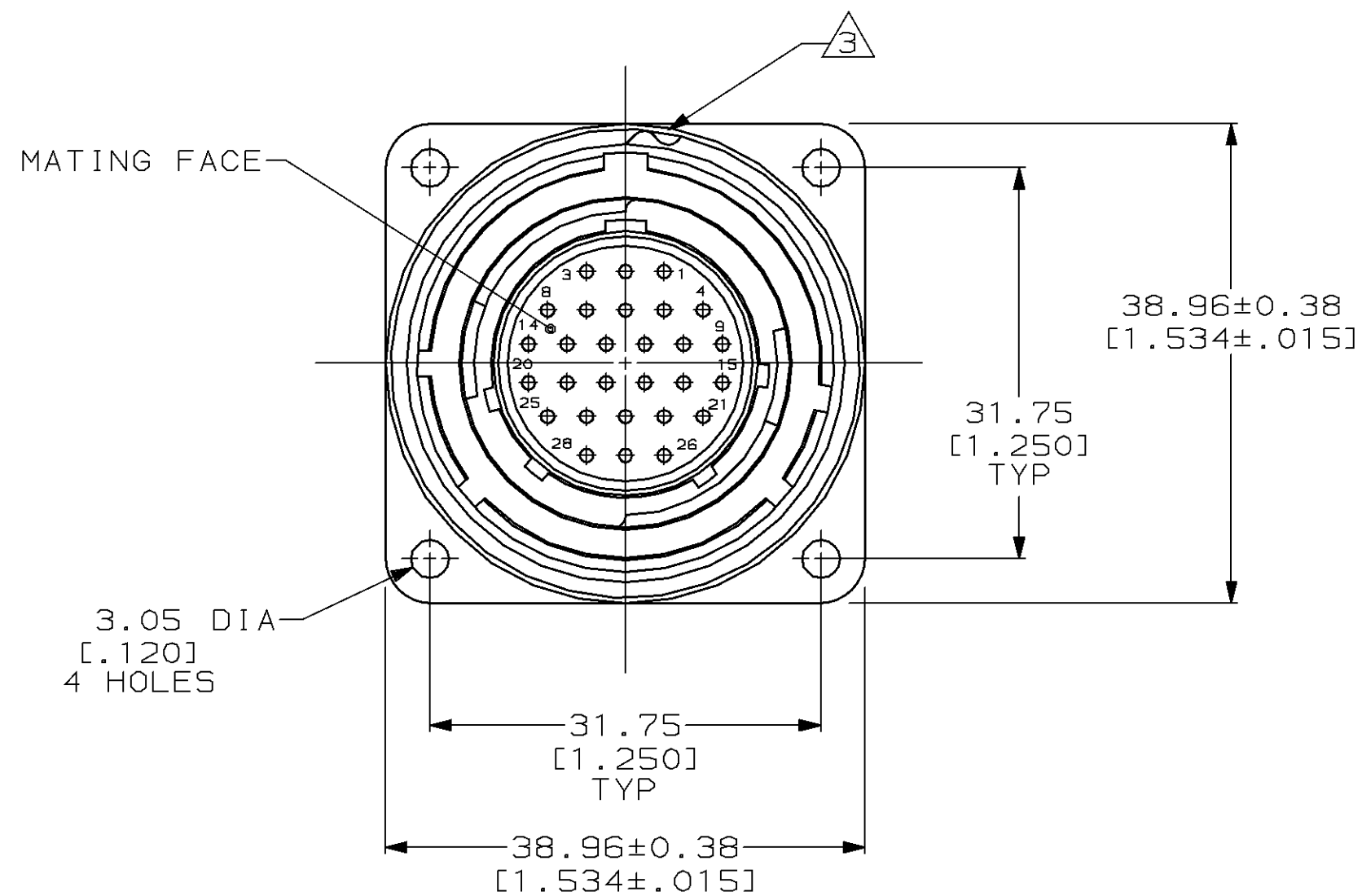


MOD		LOC		DIST		REVISIONS				
P	F	ZONE	LTR	DESCRIPTION	DATE	APPD				
4	BD	35					G	REDRAWN W/O CHANGE PER EC 0020-774-94	09/08/94	AF
							H	OBS -2 PER EC 0020-0394-93	11/17/94	RK



FRONT MOUNTED PANEL CUTOUT

REAR MOUNTED PANEL CUTOUT

- THIS RECEPTACLE MATES WITH AMP PLUG 208492-1.
 - THIS RECEPTACLE ACCEPTS TWENTY EIGHT TYPE 20 DF OR TYPE 20 DM SOCKET CONTACTS. MAXIMUM WIRE INSULATION DIA = 1.73 [.068].
- △ AMP PART NUMBER AND DATE CODE TO BE LOCATED ON EDGE OF FLANGE.

THIS DRAWING IS A CONTROLLED DOCUMENT FOR AMP INCORPORATED. IT IS SUBJECT TO CHANGE AND THE CONTROLLING ENGINEERING ORGANIZATION SHOULD BE CONTACTED FOR THE LATEST REVISION.

OBSOLETE	YES	208493-2
	NO	208493-1
PERIPHERAL SEAL		PART NO

DO NOT SCALE PRINT. UNLESS SPECIFIED DIMENSIONS IN mm [INCHES] TOLERANCES ON : 2 PLC DEC ±0.25 [.010] 3 PLC DEC ± - ANGLES ± -	DR 09/08/94 M.BINNER	AMP AMP Incorporated Harrisburg, PA 17105-3608		
	CHK 9-26-94 R.STONE			
MATERIAL SEE CALLOUT	APPD 9-30-94 A.FRANTUM	NAME RECEPTACLE ASSEMBLY, 22-28, REVERSE SEX, CMC		
FINISH SEE CALLOUT	APPD 9-30-94 A.FRANTUM	SIZE C	CAGE CODE 00779	DRAWING NO C=208493
WEIGHT -	APPLICATION SPEC -	SCALE 2:1	SHEET 1 OF 1	